

DC / DC High Voltage Power Supply

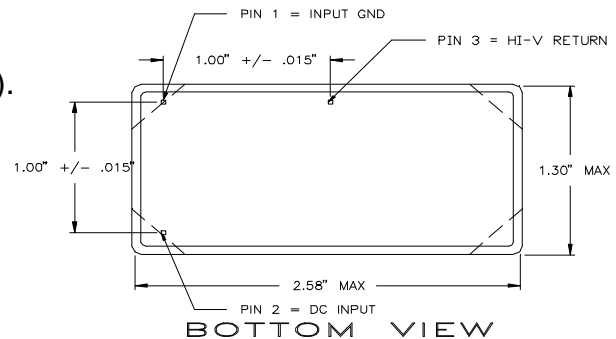
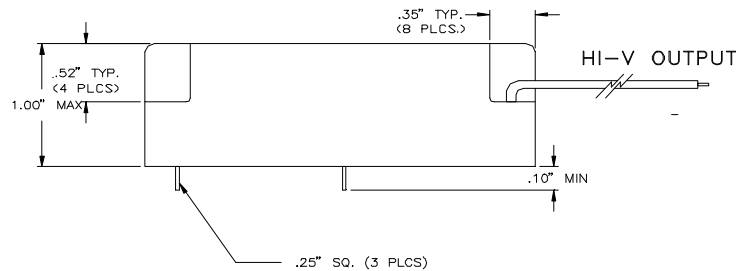
P/N 90-900113-901

Specifications:

- ◆ Input voltage : 12 V_{DC} .
- ◆ Output : 12 k V_{DC} ± 15 % @ 1GΩ Load.

FEATURES:

- ◆ Low cost.
- ◆ Output changes linearly with input change.
- ◆ Small size : 2.58" x 1.30" x 1.00" (Max).



APPLICATIONS:

- ◆ High end " feedback type" static protection equipment .
- ◆ Low cost static protection for industrial environments.
- ◆ Air cleaners.